

Hydro™

Flashing Tape



Hydro Flashing Tape is a self adhesive flashing tape to seal around windows, doors, and other joinery openings as a secondary defense against water penetration.

- It's suitable for timber and steel framed buildings
- Has been tested and passed by **CodeMark**
- For a risk score between 0-20 in accordance with NZBC Acceptable Solution E2/AS1
- Passed NZS3604 Building Wind Zones up to and including 'Very High' .

Hydro™ Flashing Tape- Advantages

- **Compatible** with all building wraps
- Simple 4 step installation, save time reducing costs
- 1.2mm thick adhesive layer
- Reliable and dependable weather tightness
- Works in temperatures from **5°C**
- An *Optional* **Corner Guard** is easy to install and increases protection to framing

Scope of Use / Applications

Windows/Door/Timber & Steel Frame Flashings

Masons Hydro Flashing Tape and Masons Corner Guard must be installed in accordance with these instructions.

- Ensure the *Hydro Tape* completely covers the joinery opening.
- To ensure maximum adhesion of the tape, make sure the substrate surface is clean, dry and free from any dust or other contaminants. Flaps are folded into the opening and secured.
- The building wrap is installed as shown to the exterior face of the frame. At window and door openings it is cut on a 45° angle away from each corner, then the flaps are folded into the opening and secured.
- *Hydro Flashing Tape* must not be stretched. When joining 2 sections of tape, overlap by 100mm or more.

WARNING: Don't apply any solvent based glues or adhesives/sealants to the tape as it will react with the bitumen.

Note: 150mm Wide tape is used for 100mm wide window or door framing. 200mm wide tape is used for 140mm-150mm wide levels.

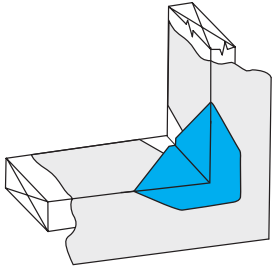


Hydro flashing tape	Roll Sizes	Masons Code
Hydro flashing tape 75mm	H 75mm x L 25m	HYDRO75x25
Hydro flashing tape 100mm	H 100mm x L 25m	HYDRO100x25
Hydro flashing tape 150mm	H 150mm x L 25m	HYDRO150x25
Hydro flashing tape 150mm	H 150mm x L 10m	HYDRO150x10
Hydro flashing tape 200mm	H 200mm x L 25m	HYDRO200x25
Hydro corner guards	50	HYDROCG50

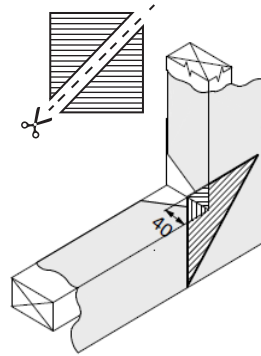
Flashing Tape

Installation Instructions

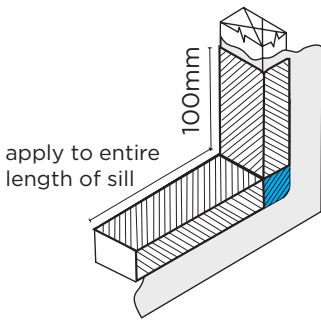
Window Sill Installation Instructions



1. Corner Guard *option 1*
Place the *Masons Corner Guard* over the building wrap and into the **bottom** corners of the window or door sill, staple to the jamb. With steel frames use double sided tape to attach the *Corner Guard* to the metal.



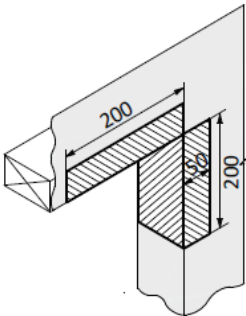
1. Corner Guard *option 2*
Cut a 150mm square of *Flashing Tape* into two equal triangular pieces. Install these at the **bottom** corners of the frame opening. The triangle needs to reach 40mm in from the extreme end of the window sill. With the remainder overlapping the building paper.



2. Sill Guard

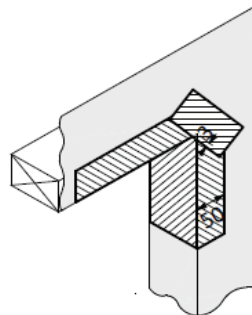
- Install sill tape flush with the interior face of the opening. Apply along entire length of sill, continue up each jamb with a minimum of 100mm
- IMPORTANT:** Press tape firmly into the corner over the Corner Guard first, then fold around onto the frame face.
- Fold remainder *Flashing Tape* against outer face of frame/building. Smooth out all creases & press firmly for good adhesion.

Window Head Installation



1. Lintel Piece

Install Lintel pieces on top corners of opening, 200mm along the lintel and 200mm down the jamb. Slit at each corner & fold onto outer face of building wrap (at least 50mm).



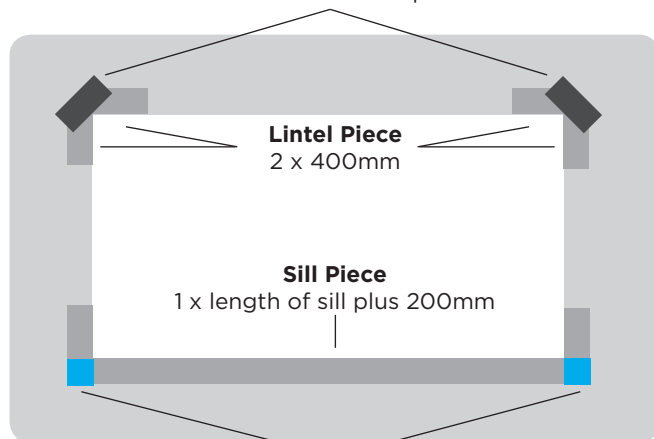
2. Butterflies

To create a seal at corner junction, Install butterflies at 45° across the corner of head/jamb.

Window Head Flashing Installation

Apply *Masons Flashing Tape* to top of window head flashing, up-stand and building wrap. Refer to window & cladding details for specific application.

Butterflies
2x 75mm x 150mm pieces



Cutting Diagram:

Corner Guards Plastic mould